

## Compact Flame Controller KLC 11 EX

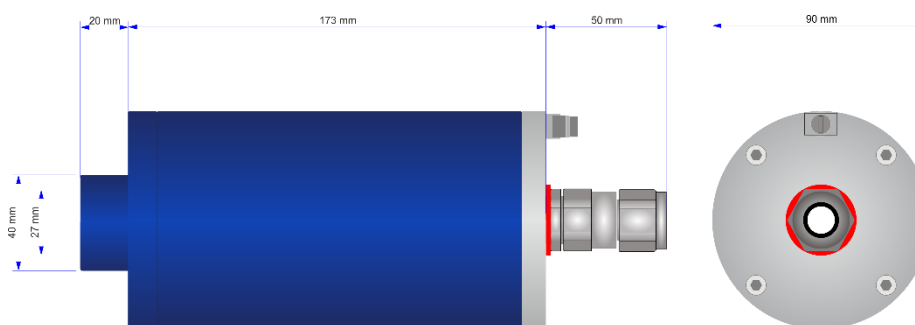


The KLC11EX is a compact UV flame detector specially designed for use in industrial firing systems where explosion protection up to zone 1 is required. The flame detector can be connected directly to a suitable ionisation or LDR input of the burner control system. In accordance with EN 298:2012, the KLC11EX flame detector is intended for burner control systems that check whether a flame signal is still present after a control shutdown. The UV tube used ensures that background radiation, e.g. from glowing refractory or mixing device parts, is not detected. The internal increase of the UV tube voltage immediately after applying the supply voltage ensures the safety requirement according to EN 298:2012 for checking the UV tube for ignition for intermittent burner operation.

### Technical Data:

Operating mode	non-continuous
Spectral sensitivity	185 up to 265 nm
Orientation	axial
Supply voltage	230 V AC (optionally 120 V AC)
Power consumption	max. 5.5 mA
Operating temperature	-20 up to +60 °C
Electrical connection	3 m fixed connection cable
Degree of protection	IP 65
Protection class	II 2G Ex d IIC T6 Gb II "D Ex tb IIIC T80°C Db
ATEX	Zone 1
Operating position	any position
Flame ON reaction time	0.5 s (typically)
Switching output	max. switching current 15mA max. switching power 0.3W max. switching voltage 280 V AC/ 400V DC
Weight	approx. 2.0 kg

### Dimensions:



### Approvals:

CE0085BS0448  
EPS 14 ATEX 1 696

### Part-Number.:

KLC 11/230 EX

813146791000