



Flamონіtec

BST SOLUTIONS

Operating Manual

Compact Flame Detector

IFR 400



Content

1.1	General aspects	4
1.1	Introduction	4
1.2	Warning notes	4
1.3	Copyright protection	5
1.4	Disposal information	5
1.5	Warranty	5
1.6	Obligation of the operating company	5
1.7	Liability disclaimer	6
1.8	Declaration of conformity	7
1.9	Address of the manufacturer	7
2	Safety	8
2.1	Intended use	8
2.2	Requirements on persons	8
2.3	Safety instructions	9
2.4	Safety devices	9
2.4.1	Fundamental aspects	9
2.4.2	Safety devices on the compact industrial flame controller IFR 400	10
2.5	Safety instructions in case of maintenance and troubleshooting	10
2.5.1	Fundamental aspects	10
2.5.2	Electrical / electronic devices	10
2.5.3	Testing per German Workplace Safety Ordinance (BetrSichV)	11
2.5.4	Safety test	11
3	Technical data	12
3.1	General characteristic features	12
3.2	Electrical system, optical system, mechanical system	12
3.3	Weight	13
3.4	Dimensions	13
3.5	Block diagram IFR 400	13
4	Transport, installation and connection	14
4.1	Scope of delivery	14
4.2	Packaging	14
4.3	Shipping instructions	14
4.4	Dimensions IFR 400	15
4.5	Installation	15
4.6	Connection	16
4.6.1	Electrical connection	16
4.6.2	Connection diagram IFR 400	16
4.7	Storage	16

Content

5	Description	17
5.1	Functional description IFR 400	17
6	Operation of the compact flame detector IFR 400	17
6.1	Test of the compact flame detector	17
6.2	Operating indicator LED	17
7	Maintenance and servicing	18
7.1	Cleaning	18
8	Troubleshooting	18
9	Order data	19
10	Accessories	19

1 | General aspects

1.1 Introduction

This operating manual is a helpful guide for ensuring the successful and safe operation of the compact flame detector IFR 400. They contain important information on how to operate the system safely, correctly and efficiently. Observing the operating manual will help to prevent hazards, reduce cost of repairs and downtime and increase the reliability and life of the device. All illustrations and drawings in this operating manual are shown for illustration purposes and do not contain details for design.

The operating manual always has to be accessible at the device. They must be read and applied by each person who is required to work with/on the device.

This work may involve, for example:

- operation
- troubleshooting during operation
- servicing
- maintenance (upkeep, inspection, repair) and/or
- transport

This should be confirmed by the operating company in writing.

1.2 Warning notes

The following warning notes are used in these operating instructions:

DANGER

This warning level indicates an imminent hazardous situation. If the hazardous situation is not prevented, this will result in death or severe injury. Follow the instructions that accompany this warning to prevent the risk of death and severe personal injury.

WARNING

This warning level indicates a potentially hazardous situation. If the hazardous situation is not prevented, this may result in death or severe injury. Follow the instructions that accompany this warning to prevent the potential risk of death and severe personal injury.

CAUTION

This warning level indicates a potentially hazardous situation. If the hazardous situation is not prevented, this may result in slight or moderate injuries. Follow the instructions that accompany this warning to prevent the injury of persons.

CAUTION

This warning level indicates potential damage to property. If this situation is not prevented, it may result in damage to property. Follow the instructions that accompany this warning to prevent damage to property.

NOTICE

A notice indicates additional information that will make the handling of the device easier.

1.3 Copyright protection

This operating manual has to be treated as confidential. They may only be used by authorised staff. Access by third parties may only be granted upon written agreement of BST Solutions. All documents are protected in keeping with the German copyright law.

The disclosure and reproduction of documentation, in whole or in part, as well as the exploitation and communication of its content shall not be permitted unless expressly stated otherwise. Offenders are liable for prosecution and the payment of damages.

We reserve all rights to exercise industrial property rights.

1.4 Disposal information



The compact flame detector is equipped with electrical and electronic components and must be disposed separate from household waste. Follow the local and actual regulations for waste disposal.

1.5 Warranty

Read these operating instructions carefully and in full before operating the compact flame detector IFR 400!

The manufacturer is not liable for damage or operating malfunctions that result from the operating manual not being observed.

The operating company has to supplement the operating manual with operating instructions on the basis of national regulations on accident prevention and environmental protection, including information on supervision and notification requirements with respect to special operating circumstances, e.g. regarding organisation of work, working processes and staff deployed.

The recognised technical rules for safe and professional working also have to be observed in addition to the operating manual and the regulations on accident prevention applicable to the country and place of use.

The warranty shall become void, for example, in the event of:

- inappropriate use
- use of impermissible equipment
- incorrect connection
- prior works that are not part of the supplied product or service
- use of non-original spares and accessories
- conversion, if this has not been approved by BST Solutions
- non-performance of specified maintenance work

1.6 Obligation of the operating company

The Industrial Flame Controller IFR 400 may cause hazards if it is operated inappropriately or in an improper condition.

The operating company is under the obligation to operate the machine in its intended state

only. The operating company must secure hazardous areas that exist between BST Solutions devices and the customer's own equipment.

The operating company must appoint and instruct responsible staff:

- Only deploy trained or instructed staff.
- Clearly set out the responsibilities of the staff with regard to operation, set-up, maintenance and repair.
- Regularly check that staff are safety conscious and aware of hazards and are observing the operating manual.
- Before starting work, staff who are assigned to work with/on the device have to have read and understood the operating manual, in particular the chapter on „Safety“, as well as the relevant regulations.
- The operating manual and relevant regulations have to be stored in such a way that they are accessible to operating and maintenance staff.
- Set out who will have responsibility for device operation and ensure that this person has the authority to overrule any unsafe instructions of third parties.

NOTICE

Generally valid legal and other binding regulations on accident prevention and environmental protection have to be observed and instructed, in addition to the operating manual.

1.7 Liability disclaimer

All technical information, data and guidance on device operation that are contained within this operating manual are, to the best of our knowledge, correct at the time of printing, taking into account our present understanding and experience.

We reserve the right to make technical changes with respect to the further development of the compact flame detector outlined in these operating manual. No claims can be made based on the specifications, illustrations and descriptions of this operating manual.

We shall not be liable for damage or operating malfunctions that result from operating errors, inappropriate repairs or the non-observance of the operating manual. We expressly state that only original spare parts and accessories approved by us may be used. This also applies to the components of other manufacturers that have been used.

The installation or use of non-approved spare and accessory parts and any unauthorized retrofits and modifications are not permitted for safety reasons and exclude any liability by BST Solutions for consequential damages.

BST Solutions is liable for possible errors or omissions with the exclusion of additional claims entered into in the framework of the warranty obligations conceded to in the contract. Claims for damages, on whatever legal basis they may be, shall be excluded.

Translations into foreign languages are carried out in good faith. We cannot accept any liability for translation errors; this also applies where the translation has been carried out or has been commissioned by us. The original text alone shall be binding.

Descriptions and illustrations do not necessarily depict the delivered product or a possible spare parts order. Drawings and graphics are not to scale.

1.8 Declaration of conformity



EU Konformitätserklärung EC Declaration of Conformity

Produkt **Flammenwächter IFCx, IFRx**
Product *Flame detector IFCx, IFRx*
Typ **IFC201, IFC400, IFR201, IFR400**
Type *IFC201, IFC400, IFR201, IFR400*

Hiermit erklären wir, dass der nachstehend bezeichnete Flammenwächter in seiner Konzipierung und Bauart sowie in der von uns in Verkehr gebrachten Ausführung den grundlegenden Sicherheitsanforderungen folgender EU-Richtlinien entspricht

This is to confirm that the below described system in its design and type of construction complies with the provisions of the Directive of the Council of the European Communities on the approximation of the laws of the member states relating to

<i>Verordnungen</i> <i>Regulations</i>	EU/2016/426	<i>Gasgeräteverordnung</i> <i>Gas appliances regulation</i>						
	2014/35/EU	<i>Niederspannungsrichtlinie</i> <i>Low voltage directive</i>						
	2014/30/EU	<i>EMV Richtlinie</i> <i>EMC directive</i>						
<i>Benannte Stelle</i> <i>Notified body</i>	DVGW Cert GmbH 0085							
<i>CE-Zertifikat vom</i> <i>CE certificate from</i>	03.04.2019 CE-0085CU0083	<i>Baumusterprüfbescheinigung</i> <i>Type examination certificate</i>						
<i>Gültig bis</i> <i>Valid until</i>	03.04.2029							
<i>Prüfgrundlagen</i> <i>Standards</i>	EU/2016/426 A III B (09.03.2016) EN 298:2012, EN13611:2015+AC:2016							
<i>Ausgestellt durch</i> <i>Issued by</i>	BST Solutions GmbH	 Flamonitec BST SOLUTIONS BST Solutions GmbH Ruegenstrasse 7 . 42579 Heiligenhaus T +49 2056 989 47-0 info@flamonitec-bst.com www.flamonitec.com						
<i>Rechtsverbindliche</i> <i>Unterschrift</i> <i>Legally binding signature</i>								
	<table border="0" style="width: 100%;"> <tr> <td style="width: 33%;"><i>Name</i></td> <td style="width: 33%;"><i>Funktion</i> <i>Function</i></td> <td style="width: 33%;"><i>Ort, Datum</i> <i>Place, Date</i></td> </tr> <tr> <td>Eberhard Röllecke</td> <td>Geschäftsführer <i>General Manager</i></td> <td>Heiligenhaus, den 31.05.2021</td> </tr> </table>	<i>Name</i>	<i>Funktion</i> <i>Function</i>	<i>Ort, Datum</i> <i>Place, Date</i>	Eberhard Röllecke	Geschäftsführer <i>General Manager</i>	Heiligenhaus, den 31.05.2021	
<i>Name</i>	<i>Funktion</i> <i>Function</i>	<i>Ort, Datum</i> <i>Place, Date</i>						
Eberhard Röllecke	Geschäftsführer <i>General Manager</i>	Heiligenhaus, den 31.05.2021						
	BST Solutions GmbH Ruegenstrasse 7 . 42579 Heiligenhaus Germany T +49 2056 989 47-0 info@flamonitec-bst.com www.flamonitec.com MEMBER OF MINDERMANN GROUP	Managing Director: Dipl.-Wirt.-Ing. Eberhard Roellecke Ust-IdNr.: DE 234 744 993 . Amtsgericht Wuppertal HRB 28842 Commerzbank . IBAN: DE51 3008 0000 0561 9749 00 . BIC: DRESDEFF300 Deutsche Bank . IBAN: DE75 3007 0010 0477 8049 00 . BIC: DEUTDE3304						

1.9 Address of the manufacturer

BST Solutions GmbH
 Ruegenstr. 7 . 42579 Heiligenhaus . Germany
 T +49 2056 989 47-0 . E-Mail: info@flamonitec-bst.com
 www.flamonitec-bst.com

2 | Safety

2.1 Intended use

The IFR 400 is a compact flame detector that has been specially designed for industrial combustion furnaces for continuous operation. It provides a galvanically isolated change-over contact as safety-related output.

As a safety-relevant criterion for flame detection, the flickering of the flame is used. Switching thresholds, switching times and filter characteristics can only be set by the manufacturer.

The flame detection is signaled via a LED and data is transmitted for evaluation.

DANGER

The Industrial Flame Controller IFR 400 may only be operated with a burner control or a DCS. It is **not** approved for direct control of the fuel valve!

WARNING

Danger due to improper use!
The device may be dangerous if used improperly and / or otherwise.
Only use the device as intended.
Follow the procedures described in this operating instruction.
The manufacturer / supplier is not liable for damage resulting from improper use. The risk is borne solely by the user / operator.

2.2 Requirements on persons

NOTICE

Work on/with the device may only be performed by persons authorized to do so based on their training and qualification. Furthermore, such persons have to have been commissioned by the operating company.

Do not allow any persons who are being apprenticed, educated, instructed or on a general training programme to work on the device without the constant supervision of an experienced person.

Persons who are under the influence of drugs, alcohol or medication that affects reactivity shall not be permitted to carry out work on the device.

Connection, set-up, maintenance and repair work may only be carried out by qualified specialist staff.

This device may cause hazards if it is operated inappropriately by untrained staff or if it is not used for its intended purpose.

Generally valid legal and other binding regulations on accident prevention and environmental protection in addition to basic health and safety requirements have to be observed. The operating company has to instruct its staff accordingly.

2.3 Safety instructions

The following instructions on accident prevention have to be observed when operating the compact flame detector IFR 400.

NOTICE

Only operate the device if it is in a proper state!

- Do not remove or disable safety devices.
- Check for externally noticeable damage and defects prior to using the device! Immediately notify the appropriate authority/person of any changes that occur (including changes in operating performance). If necessary, stop and secure the device immediately.
- Allow only authorised specialist staff to carry out set-up and/or maintenance work.
- Replace worn or defective parts.
- Use suitable maintenance tools only.
- After repair work, refit all safety devices and carry out electrical and mechanical checks.
- Check the operating instructions for details of displays as well as switch-on and switch-off procedures.
- Prior to switching on the device, make sure that no-one can be endangered by the device!
- The operating instructions always have to be kept close to the device and be readily accessible.
- Any non-compliance with the safety instructions outlined in these operating instructions may lead to damage to property, personal injury or even death.

2.4 Safety devices

2.4.1 Fundamental aspects

Check the safety equipment and locking devices on the device for safe operational condition.

Only operate the device if all safety devices are present and enabled. The operating company or operator of the compact flame detector IFR 400 is responsible for the proper operation of the device.

NOTICE

To protect the operating personnel, warning / danger signs are attached to the device. Note these signs.
Replace damaged or illegible warning / danger signs immediately.

2.4.2 Safety devices on the compact industrial flame controller IFR 400

The industrial flame controller IFR 400 has been fitted with the following safety devices:

- Housing (protection against accidental contact)
- IP 65
- Internally protected by fuse (not changeable)

2.5 Safety instructions in case of maintenance and troubleshooting

2.5.1 Fundamental aspects

- Deadlines set or indicated in the operating instructions for repetitive checks / inspections must be observed!
- Appropriate workshop equipment is essential for performing maintenance work.
- In conformance with the electrical regulations, work on the electrical equipment of the system may only be carried out by an electrical specialist or by trained staff under the direction and supervision of an electrical specialist.
- The adjustment, maintenance and inspection activities and deadlines stipulated by BST Solutions, including information on the replacement of parts / assemblies, have to be observed! These tasks may only be carried out by authorised specialist staff.
- Operating staff have to be informed before maintenance or other special work is carried out. A supervisor has to be appointed.
- Screw connections which have been loosened during maintenance and servicing work, have to be tightened.
- If maintenance and repairs require safety devices to be dismantled, these devices have to be remounted and checked as soon as the maintenance and repair work has been completed.
- Operating and auxiliary materials as well as exchanged parts have to be disposed of in a safe and eco-friendly way.
- Spare parts supplied by BST Solutions or approved of by BST Solutions only may be used.

2.5.2 Electrical / electronic devices

DANGER

Danger to life caused by electrical current!
Contact with live wires or components presents a danger to life!
Prior to any work on the electrical equipment, disconnect the flame amplifying system from the power supply network!

NOTICE

In keeping with the electrical regulations, work on electrical / electronic parts / components may only be carried out by electrical specialists.

Important rules of conduct

- Check the device at regular intervals. Any defects or faults ascertained have to be corrected immediately. Switch off the device until the defects have been corrected.
- Equipment undergoing inspection, maintenance or repair work must be deenergized, if required. First check that the disconnected parts are no longer live, then short to earth. Also isolate neighbouring live parts.
- If work is required on live parts, a second person must be present to disconnect the power supply in case of an emergency. Only use insulated tools!
- Fuses must not be repaired or bridged. Only use original fuses with the specified current!
- Before opening the housing, the device must be deenergized.

2.5.3 Testing per German Workplace Safety Ordinance (BetrSichV)

In case of the coupling or installation of devices from various manufacturers or suppliers, the operating company has to carry out a precise test, prior to start-up, in accordance with the German Workplace Safety Ordinance (BetrSichV) in force and the applicable electrical regulations.

In case of queries, please get in touch with BST Solutions.

2.5.4 Safety test**⚠ WARNING**

In order to ensure correct operation, the compact flame detector IFR 400 of all applications have to be tested several times by starting and stopping the burner several times. In all cases the flame relay has to be switched off reliably in case of an absent flame. The test should be performed in different operating situations. This is an indispensable pre-requisite for a safe and correct operation of the device!

3 | Technical data

3.1 General characteristic features

- Semiconductor sensor
- Fully electronic construction
- Galvanically isolated change-over contact
- Continuous operation
- CE0085CU0083

3.2 Electrical system, optical system, mechanical system

Optical features	350 to 1100 nm
Orientation	radial
Input	230 V AC / 50-60 Hz 120 V AC (optional)
Prefuse consumption	max. 1 A, slow max. 50 mA
Operating temperature	-20 to +70°C
Operating position	any position
Kind of protection	IP 65
Protection class	I
Humidity	max. 95% r.H., non-condensing
Electrical connection	Fixed cable connection, 1.5m
Restart time	Standard 5s Other times on request
Reaction time Switch-on time Switch-off time	< 1s < 1s
With the sensitive variant the switch-off time changes to:	For installations in accordance with DIN / EN 267 or DIN / EN 676 at the moment of self-checking < 2s
Thresholds Amplitude Pressure Frequency	Off / On / Max. 50 / 100 / 1023 150 / 200 / 900 15 / 20 / 400
Relay output	Floating, potential-free change-over contact max. switching current 0.5 A max. switching power 125 W max. switching voltage 250 V AC

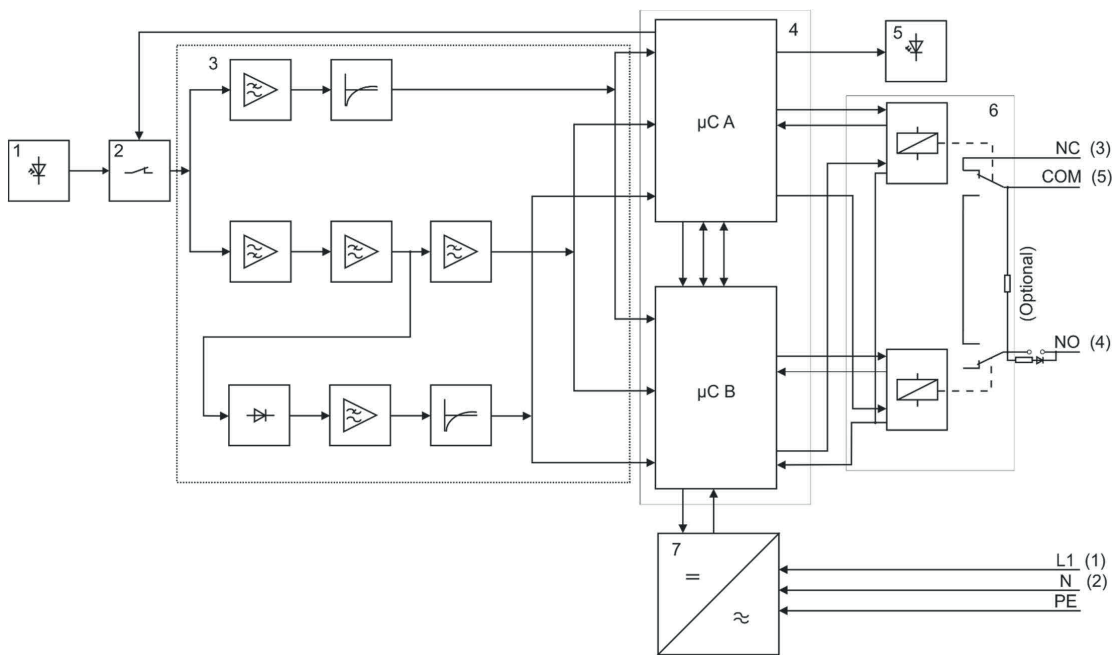
3.3 Weight

Weight approx. approx. 0.750 kg

3.4 Dimensions

Length (without plug or gland) 192.1 mm
 Width 66 mm
 Height 92 mm
 Dimensions see under item 4.4

3.5 Block diagram IFR 400



Item

Designation

Item	Designation
1	Sensor
2	Shutter
3	Preamplifier
4	Signal evaluation
5	Optical output
6	Relay
7	Power supply

4 | Transport, installation and connection

NOTICE

All installation and connection work may be carried out by qualified and approved specialist staff only!

Observe the legal stipulations and adjustment instructions of the plant operator!

4.1 Scope of delivery

- Compact flame detector IFR 400
- Operating instructions (optional, customer dependent)
- Connection cable in other length (optional)

Refer to the order papers for the exact scope of delivery and compare with the delivery note.

Checking for completeness

Check the entire delivery for completeness against the accompanying delivery note. Please refer to our terms of sale and delivery otherwise.

Report any damage

After arrival of the device and accessories, notify the shipping agent, the insurance company and BST Solutions immediately in case of any damage caused by transport or inadequate packaging.

Take steps to minimise and prevent further damage.

Report the insurance case to the insurance company without delay and transmit the full claim documents at once in order to expedite the claims settlement (at the latest in sufficient time before the expiry of any periods of preclusion and/or limitation relating to the compensation claims against third parties).

4.2 Packaging

The compact flame detector IFR 400 is shipped in different packaging materials. The most frequently used packaging materials are cardboard and plastics (foils, foamed material).

NOTICE

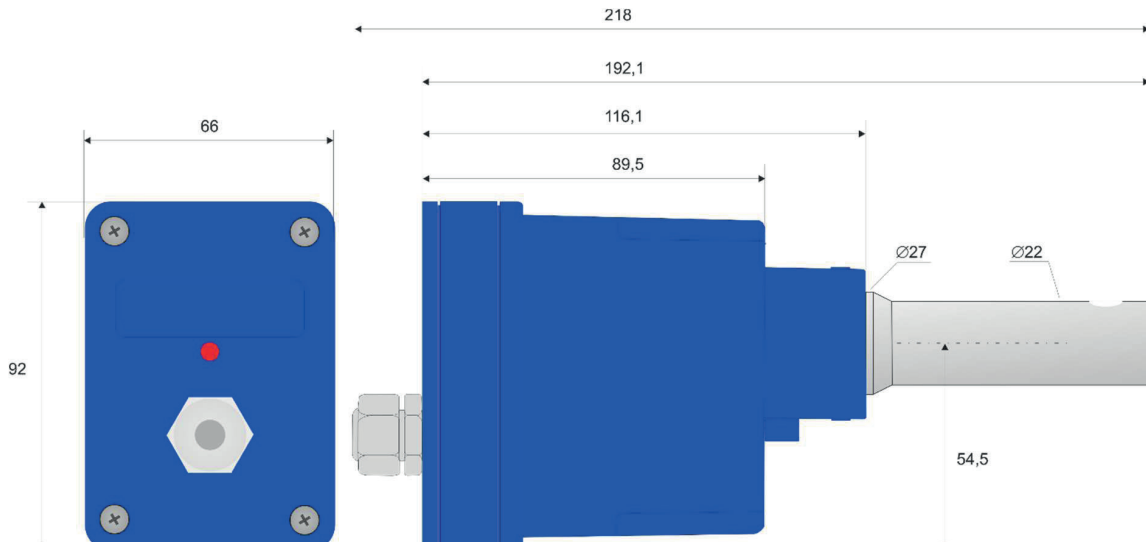
Packaging has to be disposed of in an environmentally friendly way and in accordance with the relevant provisions on disposal.

4.3 Shipping instructions

NOTICE

Do not subject the appliance to heavy impacts during transport. Do not subject the appliance to any humidity!

4.4 Dimensions IFR 400



All dimensions in mm

4.5 Installation

NOTICE

All installation and connection work may be carried out by qualified and approved specialist staff only! The legal regulations as well as adjustment instructions of the plant operator have to be observed!

The IFR 400 should be installed as close as possible to the flame with low vibration. The alignment is to concentrate on the primary zone of the flame (flame root). The compact flame detector should be mounted with the diopter. In order to prevent interference, the direct view of a spark is to be avoided.

The connecting cable is to run separately from the high-energy ignition and power lines over long distances and not parallel to avoid interference.

NOTICE

The cable length when using the ionization circuit depends on the used burner control. For connection length > 1 m, the wires of the relay contacts in the connection cable must be shielded.

4.6 Connection

4.6.1 Electrical connection

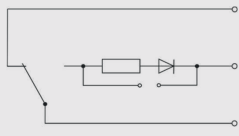
⚠ DANGER

Danger to life caused by electrical current!
The safety instructions and local safety regulations have to be observed during connection!

For connection data, please refer to the chapter titled „Technical data“ as well as to the following terminal diagram.

Ensure that the available supply voltage complies with the voltage indicated on the type plate. Prior to connection, check the device and the connecting cables for visible damage.

4.6.2 Connection diagram IFR 400

Internal connection diagram AC/DC	Cable No.	Connection
L	1	L
N	2	N
	3	NC
	4	NO
	5	Com
PE	PE	PE

4.7 Storage

Do not unpack any packed compact flame detector IFR 400 and accessories.

The following conditions apply to storage:

- Store in a dry place. Maximum relative humidity 95 %. Non condensing.

In addition, ensure that the floor in the storage area will remain dry throughout the storage period.

- Protect from direct sunlight. Storage temperature 0 to +25°C.
- Store in a dust-free location.
- Avoid mechanical vibrations and damage.

5 | Description

5.1 Functional description IFR 400

The IFR 400 is a compact flame detector, that has been specially designed for use in industrial combustion furnaces for continuous operation. It provides a galvanically isolated relay with changeover contacts as output.

As a safety-relevant criterion for flame detection, the flickering of the flame is used. Switching thresholds, switching times and filter characteristics can only be set by the manufacturer.

The flame detection is signalled via an LED and data is transmitted for evaluation.

 **DANGER**

The compact flame detector IFR 400 may only be operated with a burner control or DCS. It is **not** approved for direct control of the fuel valve!

6 | Operation of the compact flame detector IFR 400

6.1 Test of the compact flame detector

To ensure the proper operation, the compact flame detector must be tested several times by starting and stopping the burner. As long as there is no flame in all cases the flame relays has to be switched off solid. The test should be repeated for different operation situations (see also datasheet). This is an essential condition for safe and proper operation of the device.

6.2 Operating indicator LED

Via the built-in LED the compact flame detector is indicating the following operating conditions:

LED	Meaning
off	IFR 400 is without potential or defective
Flashes with short interruptions	Flame is off
Flashes with long interruptions	Flame is on
on	IFR 400 is defective

7 | Maintenance and servicing

7.1 Cleaning

For cleaning, use a moist cloth to wipe the housing from the outside only. For maintenance of the sight glass, please use a clean and lint free cloth. Do not use any kind of cleaning sprays or liquids.

NOTICE

Do not scratch the glass!

8 | Troubleshooting

Error description	Cause	Remedy
No flame signal	connecting error or no active power	Please check the plugs an the connections of the burner controler box
	Glass dirty	Power off the IFR 400 and take it out of the flange. Now clean the glass carefully with a clean and lint-free cloth
	IFR 400 malfunction	Replace IFR
Ambient light interference	View of sparks or artificial light	Change view or shield against artificial light

9 | Order data

The compact flame detector IFR 400 is available from BST Solutions GmbH under the following order data:

Type	Description	Part-No.
Compact Flame Detector IFR 400 / 230, sensitive *, fixed connection cable 1.5 m	230 V AC	611199010452
Compact Flame Detector IFR 400 / 230, sensitive * Ionization, fixed connection cable 1.5m	230 V AC	611199010462
Compact Flame Detector IFR 400 / 120, sensitive *, fixed connection cable 1.5 m	120 V AC	611299010452
Compact Flame Detector IFR 400 / 120, sensitive * Ionization, fixed connection cable 1.5 m	120 V AC	611299010462

*For installations in accordance with DIN / EN 267 or DIN / EN 676, the switch-off time at the moment of self-test is < 2 s.

10 | Accessories

Following accessories are offered by BST Solutions:

Type	Description	Part-No.
Mounting flange IFR		365094000070
Readout unit IFx-Com for software BST-Com		731000082081



Flamonitec

BST SOLUTIONS

Subject to technical changes | © BST Solutions 2021

MEMBER OF MINDERMANN GROUP

BST Solutions GmbH

Ruegenstr. 7

42579 Heiligenhaus . Germany

T +49 2056 989 47-0

info@flamonitec-bst.com

www.flamonitec-bst.com