



Flamონіtec

BST SOLUTIONS

Operating Manual

Flame Detector KLC 20 / KLC 21



Content

1	General aspects	4
1.1	Introduction	4
1.2	Warning notes	4
1.3	Copyright protection	5
1.4	Disposal information	5
1.5	Warranty	5
1.6	Obligation of the operating company	6
1.7	Liability disclaimer	6
1.8	Declaration of conformity	7
1.9	Address of the manufacturer	7
2	Safety	8
2.1	Intended use	8
2.2	Requirements on persons	8
2.3	Safety instructions	9
2.4	Safety devices	9
2.4.1	Fundamental aspects	9
2.4.2	Safety devices on the flame detector	10
2.5	Safety instructions in case of maintenance and troubleshooting	10
2.5.1	Fundamental aspects	10
2.5.2	Electrical / electronic devices	11
2.5.3	Inspection in accordance with the Ordinance on Industrial Safety and Health	11
2.5.4	Safety test	11
3	Technical data	12
3.1	General characteristic features	12
3.2	Electrical system, optical system, mechanical system	12
3.3	Weight	13
3.4	Dimensions	13
3.5	Block diagram KLC 20 / KLC 21	13
4	Transport, installation and connection	14
4.1	Scope of delivery	14
4.2	Packaging	15
4.3	Shipping instructions	15
4.4	Dimensions	15
4.5	Installation	16
4.5.1	Mounting flange KLC	16
4.5.2	Viewing angle adapter KLC for radial adjustment	17
4.5.3	Adapter ADP	17
4.6	Connection	18
4.6.1	Electrical connection	18
4.6.2	Connector diagram	18
4.7	Storage	18

5	Description	19
5.1	Functional description	19
5.2	Disturbing frequency cut off (optional)	19
5.3	Optionally function blocks for KLC	19
5.3.1	Relay module for flame detectors RMF 1	19
6	Operation of the flame detektor	20
6.1	Test of the flame detektor	20
6.2	Operating indicator LED	20
6.3	Diagnostic with KLC-Com	20
7	Maintenance and servicing	21
7.1	Cleaning	21
7.2	Maintenance interval	21
7.3	Safety-related check	21
8	Troubleshooting	22
9	Order data	23
10	Accessories	24

1 | General aspects

1.1 Introduction

This operating manual is an essential guide for the successful and safe operation of the flame detector. It contains important information on how to operate the system safely, properly and economically. Observance of these instructions helps to avoid dangers, to reduce repair costs and downtimes and to increase the reliability and service life of the unit. All illustrations and drawings in this operating manual are for general illustration purposes and are not authoritative for the design in detail.

The operating manual must be available on the unit at all times. It must be read and used by every person who is assigned to work with/on the unit,

for example:

- Operation,
- troubleshooting during operation,
- maintenance,
- maintenance (servicing, inspection, repair) and/or
- transport

The operator should have this confirmed in writing.

1.2 Warning notes

The following warning notes are used in these operating instructions:

 **DANGER**

This warning level indicates an imminent hazardous situation. If the hazardous situation is not prevented, this will result in death or severe injury. Follow the instructions that accompany this warning to prevent the risk of death and severe personal injury.

 **WARNING**

This warning level indicates a potentially hazardous situation. If the hazardous situation is not prevented, this may result in death or severe injury. Follow the instructions that accompany this warning to prevent the potential risk of death and severe personal injury.

 **CAUTION**

This warning level indicates a potentially hazardous situation. If the hazardous situation is not prevented, this may result in slight or moderate injuries. Follow the instructions that accompany this warning to prevent the injury of persons.

CAUTION

This warning level indicates potential damage to property. If this situation is not prevented, it may result in damage to property. Follow the instructions that accompany this warning to prevent damage to property.

NOTICE

A notice indicates additional information that will make the handling of the device easier.

1.3 Copyright protection

This operating manual has to be treated as confidential. They may only be used by authorised staff. Access by third parties may only be granted upon written agreement of BST Solutions. All documents are protected in accordance with the German copyright law.

The disclosure and reproduction of documentation, in whole or in part, as well as the exploitation and communication of its content shall not be permitted unless expressly stated otherwise. Offenders are liable for prosecution and the payment of damages.

We reserve all rights to exercise industrial property rights.

1.4 Disposal information



The flame detector is equipped with electrical and electronic components and must be disposed separate from household waste. Follow the local and actual regulations for waste disposal.

1.5 Warranty

Read these operating manual carefully and in full before operating the flame detector KLC20 / KLC21!

The manufacturer is not liable for damage or operating malfunctions that result from the operating manual not being observed. The operating manual must be supplemented by the operator with operating instructions based on existing national regulations for accident prevention and environmental protection, including information on supervisory and reporting obligations to take account of special operational features, e.g. with regard to work organisation, work processes and personnel deployed. The recognised technical rules for safe and professional working also have to be observed in addition to the operating manual and the regulations on accident prevention applicable to the country and place of use.

The warranty shall become void, for example, in the event of:

- inappropriate use
- use of impermissible equipment
- incorrect connection
- prior works that are not part of the supplied product or service
- non-use of original spares and accessories
- conversion, if this has not been approved by BST Solutions
- non-performance of specified maintenance work

NOTICE

It is recommended that the operator of the device concludes a service contract with BST Solutions. This guarantees that the device is regularly checked by our service staff and ensures that any required wearing and spare parts are available without long delivery periods.

NOTICE

This warranty does not cover damage in transit, lens glass breakage (photo element) or other damage caused by unqualified handling, incorrect adjustment or inadequate maintenance.

1.6 Obligation of the operating company

The flame detector KLC20 / KLC21 may cause hazards if it is operated inappropriately or in an improper condition.

The operating company is under the obligation to operate the machine in proper state only. The operating company has to secure hazardous areas that exist between BFI devices and the customer's own equipment.

The operating company has to appoint and instruct responsible staff:

- Only deploy trained or instructed staff.
- Clearly set out the responsibilities of the staff with regard to operation, set-up, maintenance and repair.
- Regularly check that staff are safety conscious and aware of hazards and are observing the operating instructions.
- Before starting work, staff who are assigned to work with/on the device have to have read and understood the operating instructions, in particular the chapter on „Safety“, as well as the relevant regulations.
- The operating manual and relevant regulations have to be stored in such a way that they are accessible to operating and maintenance staff.
- Set out who will have responsibility for device operation and ensure that this person has the authority to overrule any unsafe instructions of third parties.

NOTICE

Generally valid legal and other binding regulations on accident prevention and environmental protection have to be observed and instructed, in addition to the operating instructions.

1.7 Liability disclaimer

All technical information, data and guidance on device operation that are contained within this operating manual are, to the best of our knowledge, correct at the time of printing, taking into account our present understanding and experience.

We reserve the right to make technical changes with respect to the further development of the flame detector outlined in this operating manual. No claims can be made based on the specifications, illustrations and descriptions of this operating manual.

We shall not be liable for damage or operating malfunctions that result from operating errors, inappropriate repairs or the non-observance of the operating manual. We expressly state that only original spare parts and accessories approved by us may be used. This also applies to the components of other manufacturers that have been used.

The installation or use of non-approved spare and accessory parts and any unauthorized retrofits and modifications are not permitted for safety reasons and exclude any liability by BST Solutions for consequential damages.

BST Solutions is liable for possible errors or omissions with the exclusion of additional claims entered into in the framework of the warranty obligations conceded to in the contract. Claims for damages, on whatever legal basis they may be, shall be excluded.

Translations into foreign languages are carried out in good faith. We cannot accept any liability for translation errors; this also applies where the translation has been carried out or has been commissioned by us. The original text alone shall be binding. Descriptions and illustrations do not necessarily depict the delivered product or a possible spare parts order. Drawings and graphics are not to scale.

1.8 Declaration of conformity



EU Konformitätserklärung EC Declaration of Conformity

Produkt **Flammenwächter KLC2x mit oder ohne RMF1**
Product *Flame detector KLC2x with or without RMF1*
Typ **KLC20, KLC21, KLC22, KLC2002 mit oder ohne RMF1**
Type *KLC20, KLC21, KLC22, KLC2002 with or without RMF1*

Hiermit erklären wir, dass der nachstehend bezeichnete Flammenwächter in seiner Konzipierung und Bauart sowie in der von uns in Verkehr gebrachten Ausführung den grundlegenden Sicherheitsanforderungen folgender EU-Richtlinien entspricht

This is to confirm that the below described system in its design and type of construction complies with the provisions of the Directive of the Council of the European Communities on the approximation of the laws of the member states relating to

<i>Verordnungen</i> <i>Regulations</i>	EU/2016/426 2014/35/EU 2014/30/EU	<i>Gasgeräteverordnung</i> <i>Gas appliances regulation</i> <i>Niederspannungsrichtlinie</i> <i>Low voltage directive</i> <i>EMV Richtlinie</i> <i>EMC directive</i>
<i>Benannte Stelle</i> <i>Notified body</i> <i>CE-Zertifikat vom</i> <i>CE certificate from</i> <i>Gültig bis</i> <i>Valid until</i>	DVGW Cert GmbH 0085 19.02.2018 CE-0085BP0001 19.02.2028	<i>Baumusterprüfbescheinigung</i> <i>Type examination certificate</i>
<i>Prüfgrundlagen</i> <i>Test basis</i>	EU/2016/426 A III B (09.03.2016) EN 298:2012	

Ausgestellt durch
Issued by BST Solutions GmbH



Rechtsverbindliche
Unterschrift
Legally binding signature

<i>Name</i>	<i>Funktion</i> <i>Function</i>	<i>Ort, Datum</i> <i>Place, Date</i>
Eberhard Röllecke	Geschäftsführer <i>General Manager</i>	Heiligenhaus, den 29.03.2021

BST Solutions GmbH
Ruegenstrasse 7 . 42579 Heiligenhaus
Germany
T +49 2056 989 47-0
info@flamonitec-bst.com
www.flamonitec.com
MEMBER OF MINDERMANN GROUP

Managing Director: Dipl.-Wirt.-Ing. Eberhard Roellecke
Ust.-IdNr.: DE 234 744 993 . Amtsgericht Wuppertal HRB 28842
Commerzbank . IBAN: DE51 3008 0000 0561 9749 00 . BIC: DRESDEFF300
Deutsche Bank . IBAN: DE75 3007 0010 0477 8049 00 . BIC: DEUTDEDD304

1.9 Address of the manufacturer

BST Solutions GmbH
Ruegenstr. 7 . 42579 Heiligenhaus . Germany
T +49 2056 989 47-0 . E-Mail: info@flamonitec-bst.com
www.flamonitec-bst.com

2 | Safety

2.1 Intended use

The flame detector provides the burner control with the safety-related, switched ionization current simulation.

The KLC 20 / KLC 21 is approved for intermittent operation. When a voltage is applied, it performs a self-test. The flame detector must restart at least once every 24 hours.

DANGER

Danger when improperly used! The device may cause hazards if it is not used as intended and/or for any other purposes. The device has to be used only for the purposes for which it is intended. The procedures described in the operating manual have to be observed.

The manufacturer/supplier shall not be liable for damage resulting from use for non-intended purposes. The user/operating company alone shall bear the risk.

2.2 Requirements on persons

NOTICE

Work on/with the device may only be performed by persons authorized to do so based on their training and qualification. Furthermore, such persons have to have been commissioned by the operating company.

Do not allow any persons who are being apprenticed, educated, instructed or on a general training programme to work on the device without the constant supervision of an experienced person.

Persons who are under the influence of drugs, alcohol or medication that affects reactivity shall not be permitted to carry out work on the device.

Connection, set-up, maintenance and repair work may only be carried out by qualified specialist staff.

This device may cause hazards if it is operated inappropriately by untrained staff or if it is not used for its intended purpose.

Generally valid legal and other binding regulations on accident prevention and environmental protection in addition to basic health and safety requirements have to be observed. The operating company has to instruct its staff accordingly.

2.3 Safety instructions

Before working at the flame detector switch off the power supply. Before first commissioning or replacement of the device check external wiring!

The following instructions on accident prevention have to be observed when operating the flame detector:

NOTICE

Only operate the device if it is in a proper state.

- Do not remove or disable safety devices.
- Check for externally noticeable damage and defects prior to using the device. Immediately notify the appropriate authority/person of any changes that occur (including changes in operating performance). If necessary, stop and secure the device immediately.
- Allow only authorised specialist staff to carry out set-up and/or maintenance work.
- Replace worn or defective parts.
- Use suitable maintenance tools only.
- After repair work, refit all safety devices and carry out electrical and mechanical checks.
- Check the operating manual for details of displays as well as switch-on and switch-off procedures.
- Prior to switching on the device, make sure that no-one can be endangered by the device.
- The operating manual always have to be kept close to the device and be readily at hand.
- Any non-compliance with the safety instructions outlined in this operating manual may lead to damage to property, personal injury or even death.

2.4 Safety devices

2.4.1 Fundamental aspects

Check the safety equipment and locking devices on the device for safe operational condition. Only operate the device if all safety devices are present and enabled. The operating company or operator of the flame detector is responsible for the proper operation of the device.

NOTICE

The device has been fitted with warning and danger signs for the protection of operating staff. These signs have to be observed. Damaged or illegible signs have to be replaced immediately.

2.4.2 Safety devices on the flame detector

The flame detector has been fitted with the following safety devices:

- Housing (protection against accidental contact)
- Selftest function at power up

NOTICE

Due to the safety function of the disturbance frequency fading out (optional), a simulation of the flame by means of a simple artificial light source is not possible. If a flame simulation is required, e.g. for final testing of the burner without a real flame, a light source with a constantly changing frequency between 60 and 150 Hz or the flame simulation unit TG10 must be used.

2.5 Safety instructions in case of maintenance and troubleshooting

2.5.1 Fundamental aspects

- Deadlines set or indicated in the operating manual for repetitive checks / inspections shall have to be observed!
- Appropriate workshop equipment is essential for performing maintenance work.
- In conformance with the electrical regulations, work on the electrical equipment of the system may only be carried out by an electrical specialist or by trained staff under the direction and supervision of an electrical specialist.
- The adjustment, maintenance and inspection activities and deadlines stipulated by BST Solutions, including information on the replacement of parts / assemblies, have to be observed! These tasks may only be carried out by authorised specialist staff.
- Operating staff have to be informed before maintenance or other special work is carried out. A supervisor has to be appointed.
- Screw connections which have been loosened during maintenance and servicing work, have to be tightened.
- If maintenance and repairs require safety devices to be dismantled, these devices have to be remounted and checked as soon as the maintenance and repair work has been completed.
- Ensure safe and environmentally friendly disposal of replacement parts!
- Spare parts supplied by BST Solutions or approved of by BST Solutions only may be used.

2.5.2 Electrical / electronic devices

DANGER

Danger to life caused by electrical current!
Contact with live wires or components presents a danger to life!
Prior to any work on the electrical equipment, disconnect the flame detector from the power supply network!

NOTICE

In keeping with the electrical regulations, work on electrical / electronic parts / components may only be carried out by electrical specialists.

Important rules of conduct

- Check the device in regular intervals. Any defects or faults ascertained have to be corrected immediately. Switch off the device until the defects have been corrected.
- Equipment parts undergoing inspection, maintenance or repair work have to be made de-energised, if required. First check that the disconnected parts are no longer live, then short to earth (ground). Also isolate neighbouring live parts!
- If work is required on live parts, a second person has to be assigned who can disconnect the power supply in case of an emergency. Only use insulated tools!
- Fuses must not be repaired or bridged. Only use original fuses with the specified current!

2.5.3 Inspection in accordance with the Ordinance on Industrial Safety and Health

In the event of the combination or installation of units from different manufacturers or suppliers, a precise test must be carried out by the operator before commissioning in accordance with the applicable industrial safety regulations and the applicable electrical engineering rules.

In case of queries, please get in touch with BST Solutions.

2.5.4 Safety test

WARNING

To ensure proper operation, the flame detector must be tested several times in all applications by starting and stopping the burner several times. The flame relay must switch off reliably in all cases when there is no flame. This test should be carried out in different operating situations (see technical data sheet). This is an indispensable prerequisite for safe and proper operation of the unit!

3 | Technical data

3.1 General characteristic features

- Selftest function after power up
- Intermittent operation
- UV/VIS/IR-Sensor
- Fully electronic construction
- Spectral analyzing process
- CE approved CE0085PB0001

3.2 Electrical system, optical system, mechanical system

Optical features VIS/IR	350 to 1100 nm , max. sensitivity at 920 nm
Selftest function	Fully electronical at power up Selftest time < 2 s
Switch-on time	Typically 0.5 s
Switch-off time	< 0,6 s
Flicker range	15 – 400 Hz
Switch-on frequency	25 Hz, other frequencies on request
Switch-off frequency	15 Hz, other frequencies on request
Accepted flame signal loss duration	ca. 280 ms
Output max. switching current max. switching power max. switching voltage	15 mA 0.3 W 280 V AC/400 V DC
Input	230/240 V AC 50/60 Hz 120 V AC (optional) 24 V AC/DC (optional)
Consumption	max. 6 mA
Operating temperature KLC 20 KLC 21	-20 to +60°C -20 to +75°C
Humidity	max. 95% r.H., non-condensing
Connection	Plug connector
Kind of protection	IP 41
Operating position	any position
Protection class	II
Cable length	1 m (other length on request)

3.3 Weight

Weight approx. 0.029 kg

3.4 Dimensions

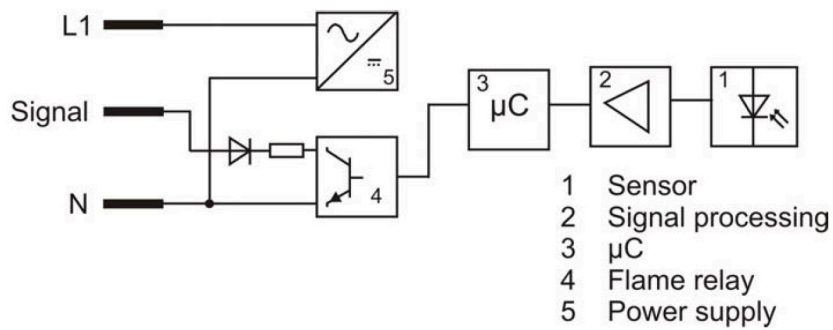
Length (with plug) 115 mm

Width 30 mm

Height 22 mm

Dimensional drawing see under point 4.4

3.5 Block diagram KLC 20/KLC 21



4 | Transport, installation and connection

NOTICE

All installation and connection work may be carried out by qualified and approved specialist staff only!

Observe the legal stipulations and adjustment instructions of the plant operator!

4.1 Scope of delivery

- Flame detector KLC 20 / KLC 21
- Operating manual (optional, customer-dependent)
- Connection cable (optional)
- Mounting flange (optional)
- Angle adapter KLC(optional)
- Adapter ADP (optional)
- Diagnostic tool KLCcom (optional)
- Flame simulation device TG10 (optional)

Refer to the order papers for the exact scope of delivery and compare with the delivery note.

Checking for completeness

Check the entire delivery for completeness against the accompanying delivery note. Please refer to our terms of sale and delivery otherwise.

Report any damage

After arrival of the device and accessories, notify the shipping agent, the insurance company and BST Solutions immediately in case of any damage caused by transport or inadequate packaging.

Take steps to minimise and prevent further damage.

Report the insurance case to the insurance company without delay and transmit the full claim documents at once in order to expedite the claims settlement (at the latest in sufficient time before the expiry of any periods of preclusion and/or limitation relating to the compensation claims against third parties).

4.2 Packaging

The flame detector is shipped in different packaging materials.

The most frequently used packaging materials are cardboard and plastics (foils, foamed material).

NOTICE

Packaging has to be disposed of in an environmentally friendly way and in accordance with the relevant provisions on disposal.

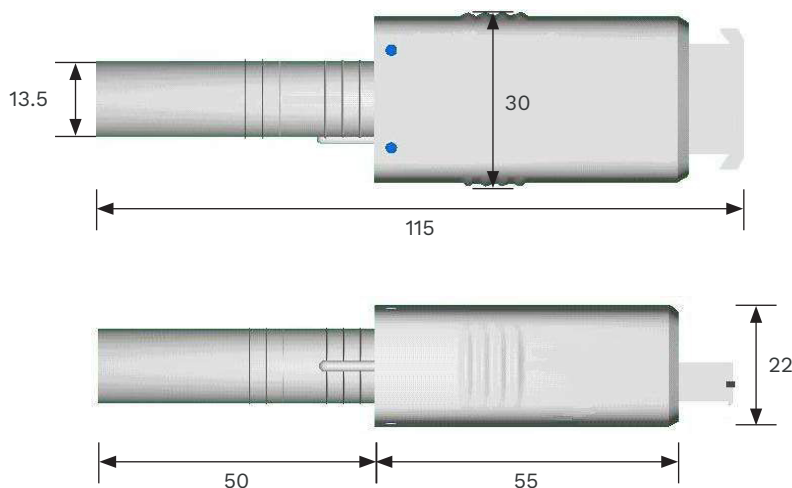
4.3 Shipping instructions

NOTICE

Do not subject the appliance to heavy impacts during transport. Do not subject the appliance to any humidity!

4.4 Dimensions

see the following illustration:



4.5 Installation

NOTICE

All installation and connection work may be carried out by qualified and approved specialist staff only! The legal regulations as well as adjustment instructions of the plant operator have to be observed!

The KLC 20 / KLC 21 should be mounted close to the flame with straight alignment. The compact flame detector should be mounted with the mounting flange KLC or another suitable holder with $\varnothing 14$ mm opening. The radial adjustment to the flame is realised with the viewing angle adapter KLC and replaces the mounting flange KLC. Fix the detector with the holder. The best flame signal will be achieved from strong flickering parts of the flame radiation. The angle of view, especially with sight tubes, must be of appropriate dimensions to avoid any reduction of flame radiation. Protect the sensor against other light sources.

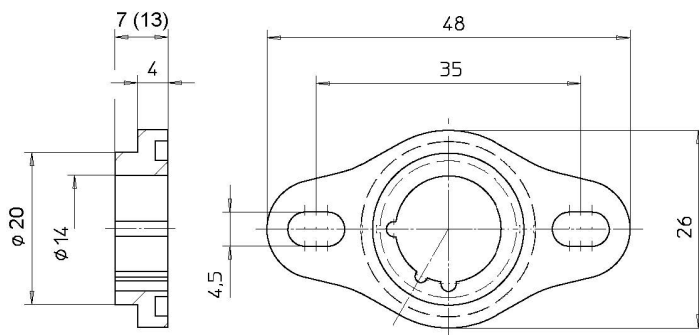
To prevent faults, the direct view of an ignition spark must be avoided. Faults in the prepurge phase can be caused by this. The maximum cable length of the connection cable must be observed. The connection cable must be kept separate from high-energy ignition and mains cables and must not be laid parallel to them over long distances.

Attention: For safety reasons and technical regulations a controlled burner shut down of at least once per 24 hours must be guaranteed.

For the mounting BST Solutions offers different accessories:

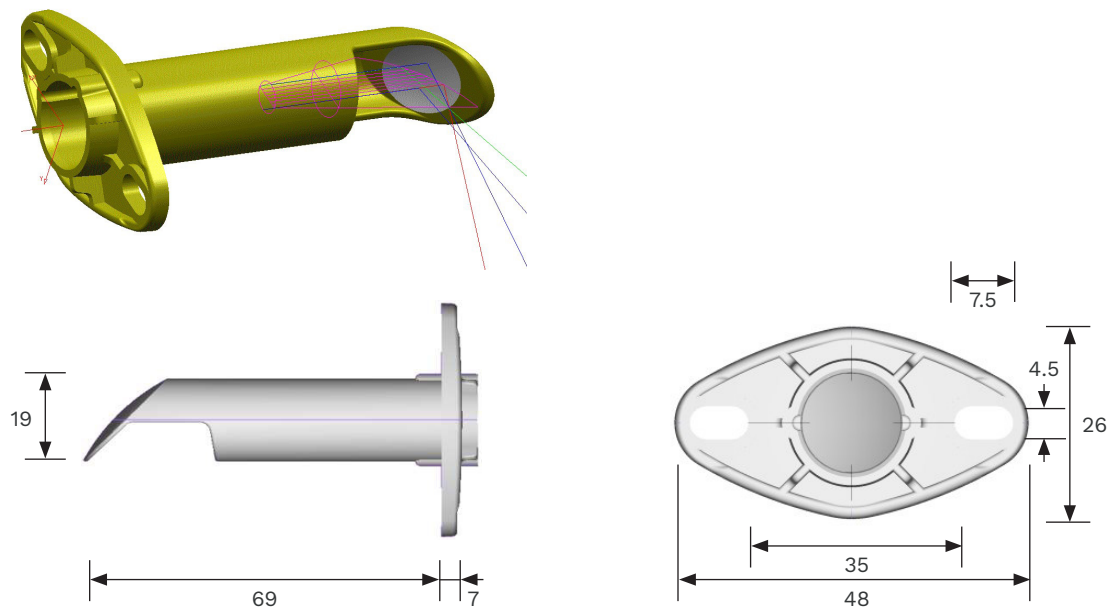
4.5.1 Mounting flange KLC

The mounting flange KLC serves for to the admission, attachment and adjustment of the flame detector. Two overall heights with 7 and 13 mm are available. By means of an O-ring the mounting flange KLC can be simply sealed to the burner housing.



4.5.2 Viewing angle adapter KLC for radial adjustment

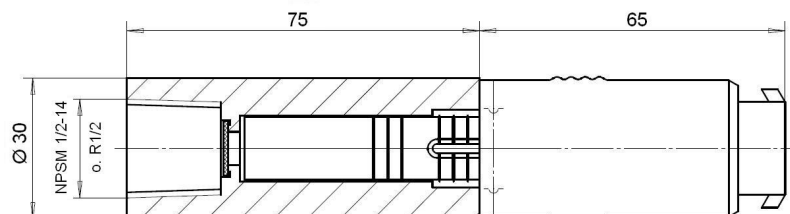
With the optionally available angle adapter, the radial alignment of the KLC 20 / KLC 21 to the flame axis is carried out by means of an optimally shaped mirror surface. The angle adapter simultaneously replaces the KLC holder. A separate flame detector type is therefore not required. With maintenance work the reflector surface should be protected from possible contamination and if necessary it is to clean with a clean, soft and lint free cloth.



all dimensions in mm

4.5.3 Adapter ADP

The ADP adapter makes it possible to mount the flame detectors KLC 20 / KLC 21 with additional axial alignment directly on a combustion chamber opening. A quartz glass serves as a pressure barrier and prevents the escape of heating gases from the combustion chamber. For the application of the flame detector KLC at high surface temperatures, the version made of heat-insulating material should be used.



4.6 Connection

4.6.1 Electrical connection

⚠ DANGER

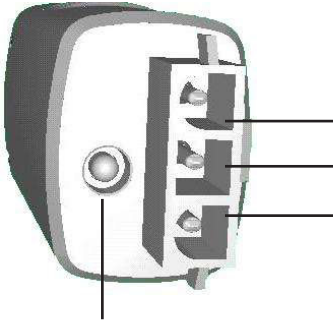
Danger to life caused by electrical current!
When connecting, observe the safety instructions and the locally applicable safety regulations!

Refer to the Technical Data chapter and the following wiring diagram for connection data. Check that the mains voltage corresponds to the voltage indicated on the type plate. Before connecting, check the device and the connecting cables for visible damage.

4.6.2 Connector diagram

Control boxes from Dungs / Satronic

Ask for connector details of other burner control boxes.



Type of control box Wire colour	MPA22	TF 8	DKO 9.. DKW 9.. DMO 9..	TMO 720-4
Blue terminal no.:	12 – 5 N	2	2	2
Black terminal no.:	12 – 3 Ion	1	1	1
Brown terminal no.:	6 – 17 L1	9	9	9

LED

4.7 Storage

Do not unpack packed flame detector and accessories.

The following regulations apply to storage:

- Store in a dry place. Maximum relative humidity: 95 % r. h., non-condensing.
- Ensure that the packages are not stored outdoors.
- In addition, ensure that the floor of the storage room is dry during storage.
- Protect from direct sunlight. Storage temperature -20 to +60 °C
- Store dust-free.
- Avoid mechanical shocks and damage.

5 | Description

5.1 Functional description

The flame detector KLC 20 / KLC 21 is a compact flame detector specially developed for blue-burning combustion systems in forced draft burner applications in the household sector. The patented evaluation of the signal is carried out via the flicker frequency of the radiation of the upcoming flame. A processor enables the evaluation and conversion of the flame signal to a digital signal in the value required for the flame signal amplifier of the corresponding firing system. No adjustments are necessary during commissioning or maintenance.

The KLC 20 / KLC 21 only evaluates the flickering of the flame to be monitored. A device version with interference frequency suppression is available as an option.

In this case, uniform light radiation and any constant frequencies do not lead to permanent flame detection. Interfering sources of extraneous light, e.g. from fluorescent tubes or low-frequency background radiation from glowing brickwork, are blanked out. Unintentional influences on the flame detection can thus be avoided.

Via the LED display as an optical interface, it is possible to read out various relevant operating parameters (e.g. monitoring of the flame signal, serial number). The flame detector provides the burner control unit with the safety-related binary signals for „flame ON/OFF“.

The KLC 20 / KLC 21 activates its self-test function during power up. Therefore the flame detector is approved for intermittent operation. For safety reasons and technical regulations a controlled burner shut down at least once per 24 h must be guaranteed.

5.2 Disturbing frequency cut off (optional)

The KLC is optionally available with the “disturbing frequency cut off – function”. Here the KLC20 / KLC21 detects only real flames, which are characterized by unsteady changing frequencies. DC lights and any kind of constant frequencies, e.g. from fluorescent tubes or other electrical lamps, will be blanked out and will not lead to a constant flame detection. After the sensor is admitted with constant frequencies of a light source, this function will enable at first the switching output, but after approximately 5 up to 9 seconds the output will be disconnected again. Therefore it is to be paid attention during an inspection of the flame detector KLC20 / KLC21, that this performance is intended and describes not a malfunction.

NOTICE

This option is **mandatory** for use in gas applications!

5.3 Optionally function blocks for KLC

5.3.1 Relay module for flame detectors RMF 1

The flame detector KLC20/KLC21 is a low power signal output equipped to simulate ionization or LDR signal. If a relay switch contact is required, the use of RMF 1 is recommended. The RMF 1 has an electrically isolated changeover contact with a maximum switching voltage of 250 V AC, a maximum switching current of 1 A and a maximum rating of 250 VA. More information can be found in the operating manual of the RMF1 in its current version.

6 | Operation of the flame detektor

6.1 Test of the flame detektor

To ensure the proper operation, the flame detector has to be tested several times by starting and stopping the burner. As long as there is no flame in all cases the flame relays has to be switched off solid. The test should be repeated for different operation situations (see also data sheet). This is an essential condition for a safe and proper operation.

6.2 Operating indicator LED

Via the built-in LED the flame detector KLC 20 / KLC 21 is indicating the following operating conditions:

LED	Meaning
off	KLC is not active or without potential
blinking	Selftest finished, KLC is active, no flame detected.
on	Selftest finished, KLC is active, flame detected.

6.3 Diagnostic with KLC-Com

With the read out unit KLC-Com, consisting of optical adapter with cable, USB-Interface and software BST-Com, the following information can be read from the KLC20 / KLC21:

- Impulses
- Serial Number
- Version / Edition
- present flicker frequency

For this purpose, the USB-optoadapter KLC-Com must be inserted into the recess of the LED. Via the connection cable and the interface, the data can be read into a laptop or PC using the corresponding BST-Com software. Further information can be found in the BST-Com operating instructions.



7 | Maintenance and servicing

The flame detector KLC20 / KLC21 requires no maintenance.

7.1 Cleaning

For cleaning, use a moist cloth to wipe the housing from the outside only. For maintenance of the sight glass, please use a clean and lint free cloth. Do not use any kind of cleaning sprays or liquids.

NOTICE

Do not scratch the glass!

7.2 Maintenance interval

The flame detector should be checked as part of general system maintenance.

7.3 Safety-related check

A safety check of the flame monitoring must be carried out during commissioning and every maintenance of the combustion system.

The following steps should be checked:

- During start-up of the BMS the flame detector should be darkened. After the safety time the BMS should indicate a fault!
- During start-up of the BMS the flame detector should be to light up with an external, frequency-controlled light source (for example TG 10) -> the burner control box must go to fault during the prepurge phase!
- During normal operation the flame detector should be darkened. Depending on the BMS a fault has to be indicated after safety time expired during anew start-up or directly after darken the flame detector.

8 | Troubleshooting

Error description	Cause	Remedy
Flamerelay does not switch	I) connecting error or no active power	Please check the plugs an the connetions of the burner controller box
	II) Glass dirty	Power off the KLC and take it out of the flange. Now clean the glass carefully with a clean and fuzz-free cloth
	III) KLC malfunction	Exchange the KLC
No communication with laptop or pc	I) LED dirty	Clean the LED
	II) Optical adapter defect	replace the Optical adapter
	III) Interface circuit defect	replace the KLC
	IV) wrong serial or com port number chosen at the pc	Choose the right serial or com port number in KLC com

9 | Order data

The wide band flame detector KLC 20 / KLC 21 is available from BST Solutions GmbH under the following order data:

Article	Version	Article No.
Flame detector KLC20/230, 25/15Hz, DFC	axial, with disturbing frequency cut off (DFC)	61120110212
Flame detector KLC20/230, 52/15Hz, DFC	axial, with disturbing frequency cut off (DFC)	61120110215
Flame detector KLC20/24, 25/15Hz, DFC	axial, with disturbing frequency cut off (DFC)	611320110212
Flame detector KLC20/24, 52/15Hz, DFC	axial, with disturbing frequency cut off (DFC)	6011-1416-00
Flame detector KLC21/230, 25/15Hz, DFC	axial, with disturbing frequency cut off (DFC)	61121110212
Flame detector KLC21/230, 52/15Hz, DFC	axial, with disturbing frequency cut off (DFC)	61121110215
Flame detector KLC21/24, 25/15Hz, DFC	axial, with disturbing frequency cut off (DFC)	611321110212
Flame detector KLC21/24, 52/15Hz, DFC	axial, with disturbing frequency cut off (DFC)	611321110215

10 | Accessories

Following accessories are offered by BST Solutions:

Article	Version	Article No.
Mounting flange KLC	overall height 7 mm	665001010000
Mounting flange KLC	overall height 13 mm	665002010000
Angle adapter KLC, standard mirror	Accessory for radial mounting applications	615001020000
Angle adapter KLC, stainless steel mirror	Accessory for radial mounting applications	615001030000
ADP 10 – UV	Adapter KLC, heat insulating up to 180°C, R ½“, quartz glass	575010512110
Connecting cable KLC	length 600 mm	661060040100
Connecting cable KLC	length 1000 mm	661100040100
Connecting cable KLC	length 2000 mm	661200040100
Connecting cable KLC	other length on request	-
Read out unit KLC-Com	optical adapter, USB-Interface, Software BST-Com via download	731000080981
Flame simulation device TG 10	-	730061010901
RMF 1 / 230	Relais modul for 230 V AC	640480002000
RMF 1 / 120	Relais modul for 120 V AC	640480002100
RMF 1 / 24	Relais modul for 24 V DC	640480002200



Flamonitec

BST SOLUTIONS

MEMBER OF MINDERMANN GROUP

BST Solutions GmbH

Ruegenstr. 7

D-42579 Heiligenhaus . Germany

T +49 2056 98947-0

info@flamonitec-bst.com

www.flamonitec-bst.com